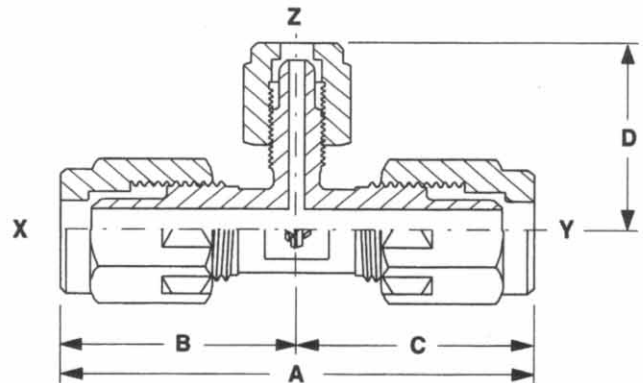


Union Tee Reducer

Male Flare Connector

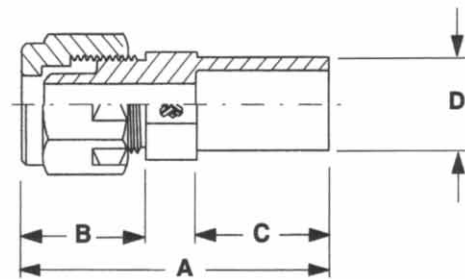


Part No.	O.D. Tube Size			Orifice	A	B	C	D
	X	Y	Z					
FMP664UTR	3/8	3/8	1/4	0.15 (03.30 mm)	3.08 (78.24 mm)	1.54 (39.12 mm)	1.54 (39.12 mm)	1.45 (36.83 mm)
FMP884UTR	1/2	1/2	1/4	0.15 (03.30 mm)	3.72 (94.48 mm)	1.86 (47.24 mm)	1.86 (47.24 mm)	1.68 (42.67 mm)
FMP886UTR	1/2	1/2	3/8	0.25 (06.35 mm)	3.72 (94.48 mm)	1.86 (47.24 mm)	1.86 (47.24 mm)	1.71 (43.43 mm)
FMP12128UTR	3/4	3/4	1/2	0.38 (09.63 mm)	4.40 (111.76 mm)	2.20 (55.88 mm)	2.20 (55.88 mm)	2.20 (55.88 mm)
FMP16168UTR	1	1	1/2	0.38 (09.63 mm)	4.90 (124.46 mm)	2.45 (62.23 mm)	2.45 (62.23 mm)	2.40 (60.96 mm)
FMP161612UTR	1	1	3/4	0.66 (16.76 mm)	4.98 (126.49 mm)	2.49 (63.25 mm)	2.49 (63.25 mm)	2.40 (60.96 mm)

Straight Union Adapter

Male Flare Connector

Fusible Pipe End

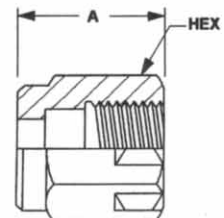


Part No.	O.D. Tube Size		Orifice	A	B	C	D
	Pipe Size	Pipe Size					
FMP88/40SUA	1/2	1/2	0.38 (09.63 mm)	3.48 (88.39 mm)	1.40 (35.56 mm)	1.50 (38.10 mm)	0.84 (21.34 mm)
FMP812/40SUA	1/2	3/4	0.38 (09.63 mm)	3.54 (89.92 mm)	1.40 (35.56 mm)	1.50 (38.10 mm)	1.05 (38.10 mm)
FMP128/40SUA	3/4	1/2	0.63 (16.00 mm)	3.54 (89.92 mm)	1.46 (37.08 mm)	1.50 (38.10 mm)	0.84 (21.34 mm)
FMP1212/40SUA	3/4	3/4	0.63 (16.00 mm)	3.54 (89.92 mm)	1.46 (37.08 mm)	1.50 (38.10 mm)	1.05 (38.10 mm)
FMP1612/40SUA	1	3/4	0.81 (20.57 mm)	3.77 (95.76 mm)	1.62 (41.15 mm)	1.50 (38.10 mm)	1.05 (38.10 mm)
FMP1616/40SUA	1	1	0.88 (22.50 mm)	3.77 (95.76 mm)	1.62 (41.15 mm)	1.50 (38.10 mm)	1.32 (33.53 mm)

Nut

Part No.	O.D. Tube Size		A	Hex Flat
	Tube Size	Tube Size		
FMP4N	1/4	1/4	0.92 (23.37 mm)	0.74
FMP6N	3/8	3/8	1.00 (25.40 mm)	0.87
FMP8N	1/2	1/2	1.20 (30.48 mm)	1.12
FMP12N	3/4	3/4	1.28 (32.51 mm)	1.37
FMP16N	1	1	1.44 (36.58 mm)	1.62

Material — Molded ETFE



Cap

Part No.	O.D. Tube Size		A	B
	Tube Size	Tube Size		
FMP4C	1/4	1/4	0.60 (15.24 mm)	0.36 (09.14 mm)
FMP6C	3/8	3/8	0.75 (19.05 mm)	0.53 (13.46 mm)
FMP8C	1/2	1/2	0.84 (21.34 mm)	0.67 (17.02 mm)
FMP12C	3/4	3/4	0.85 (21.59 mm)	0.92 (23.32 mm)
FMP16C	1	1	0.94 (23.88 mm)	1.37 (34.74 mm)

Material — Molded PFA

