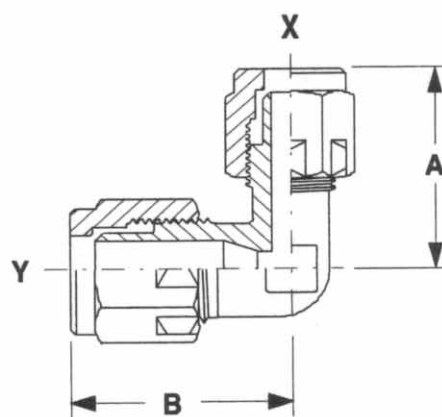


Union Elbow Reducer

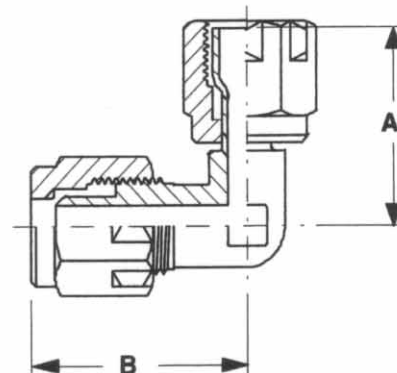
Male Flare Connector



Part No.	O.D. Tube Size	O.D. Tube Size	Orifice	A	B
	X	Y			
FMP46UER	1/4	3/8	0.13 (03.30 mm)	1.45 (36.83 mm)	1.60 (40.64 mm)
FMP68UER	3/8	1/2	0.25 (06.35 mm)	1.71 (43.43 mm)	1.85 (46.99 mm)
FMP812UER	1/2	3/4	0.38 (09.65 mm)	2.20 (55.88 mm)	2.20 (55.88 mm)
FMP1216UER	3/4	1/2	0.63 (16.00 mm)	2.40 (60.96 mm)	2.47 (62.74 mm)

Female Flare Union Elbow

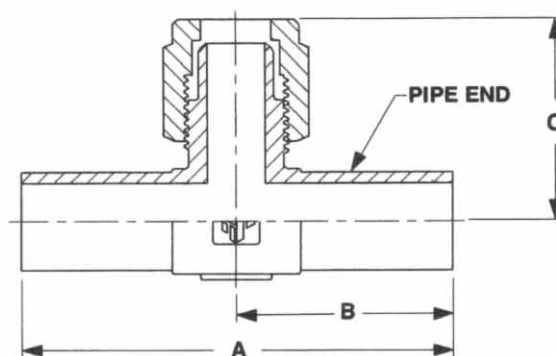
Male Flare Connector
Female Flare Connector



Part No.	O.D. Tube Size	Orifice	A	B
	Size			
FMP6FFUE	3/8	0.25 (06.35 mm)	1.51 (38.35 mm)	1.63 (41.40 mm)
FMP8FFUE	1/2	0.38 (09.65 mm)	1.91 (48.51 mm)	2.13 (54.10 mm)
FMP12FFUE	3/4	0.63 (16.00 mm)	2.16 (66.29 mm)	2.25 (57.15 mm)
FMP16FFUE	1	0.88 (22.35 mm)	2.53 (64.26 mm)	2.52 (64.01 mm)

Manifold Tee

Male Flare Connector
Fusible Pipe End



Part No.	O.D. Tube Size	Pipe Size	Orifice	A	B	C
	Size					
1102731	3/8	1/2	0.25 (06.35mm)	3.94 (100.08mm)	1.97 (50.04mm)	1.50 (38.10mm)
1103873	1/2	3/4	0.38 (09.65mm)	4.12 (104.65mm)	2.06 (52.32mm)	1.75 (44.45mm)
1102249	3/4	3/4	0.63 (16.00mm)	4.60 (116.84mm)	2.30 (58.42mm)	2.13 (54.10mm)
1102729	3/4	1	0.63 (16.00mm)	4.38 (111.25mm)	2.19 (55.63mm)	2.00 (50.80mm)
1102728	1	1-1/2	0.88 (22.35mm)	4.62 (117.34mm)	2.31 (58.67mm)	2.42 (61.47mm)