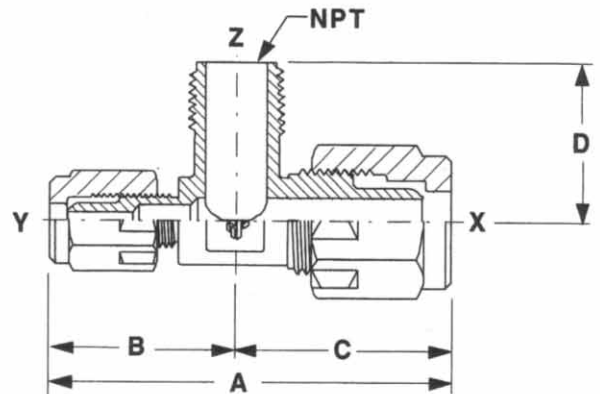


Male Branch Tee Reducer

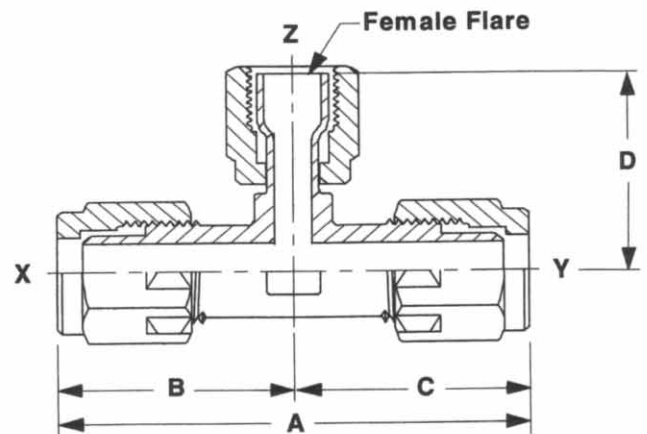
Male Flare Connector
Male NPT Threads



Part No.	O.D. Tube Size		Male NPT Size	Orifice	A	B	C	D
	X	Y	Z					
FMP646MBTR	3/8	1/4	3/8	0.13 (03.30 mm)	3.03 (76.96 mm)	1.46 (37.21 mm)	1.56 (39.75 mm)	1.18 (29.97 mm)
FMP848MBTR	1/2	1/4	1/2	0.13 (03.30 mm)	3.44 (87.38 mm)	1.60 (40.64 mm)	1.84 (46.74 mm)	1.31 (33.27 mm)
FMP866MBTR	1/2	3/8	3/8	0.25 (06.35 mm)	3.56 (90.43 mm)	1.84 (46.74 mm)	1.72 (43.69 mm)	1.31 (33.27 mm)
FMP12412MBTR	3/4	1/4	3/4	0.15 (03.30 mm)	4.06 (103.12 mm)	1.85 (46.99 mm)	2.21 (56.13 mm)	1.62 (41.15 mm)

Female Flare Branch Tee Reducer

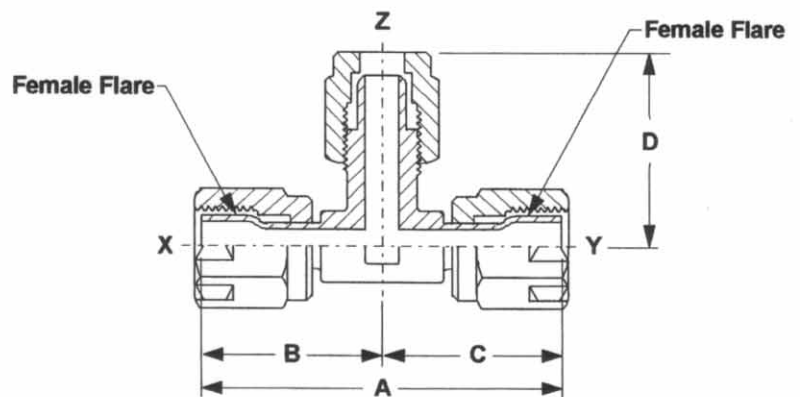
Male Flare Connector
Female Flare Connector



Part No.	O.D. Tube Size		Z	Orifice	A	B	C	D
	X	Y						
FMP12128FFBTR	3/4	3/4	1/2	0.38 (09.65 mm)	4.50 (114.30 mm)	2.25 (57.15 mm)	2.25 (57.15 mm)	2.09 (53.09 mm)
FMP161612FFBTR	1	1	3/4	0.63 (16.00 mm)	5.04 (128.02 mm)	2.52 (64.00 mm)	2.52 (64.00 mm)	2.29 (58.17 mm)

Female Flare Run Tee Reducer

Male Flare Connector
Female Flare Connector



Part No.	O.D. Tube Size		Z	Orifice	A	B	C	D
	X	Y						
FMP88FFRTR	1/2	1/2	3/4	0.38 (09.65 mm)	4.18 (106.17 mm)	2.09 (53.09 mm)	2.09 (53.09 mm)	2.25 (57.15 mm)