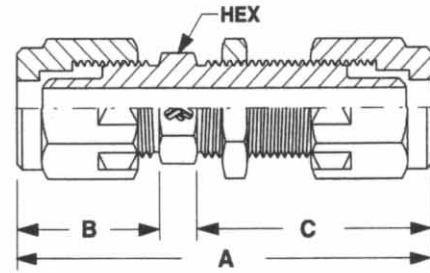


Straight Union Panel

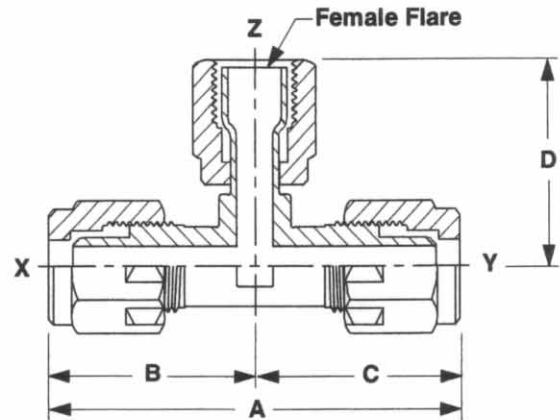
Male Flare Connector



Part No.	O.D. Tube Size	Orifice	A	B	C	Hex Flat
FMP4SUP	1/4	0.13 (03.30 mm)	3.51 (89.15 mm)	1.10 (27.94 mm)	2.04 (51.82 mm)	0.68
FMP6SUP	3/8	0.25 (06.35 mm)	3.70 (93.98 mm)	1.19 (30.23 mm)	2.14 (54.36 mm)	0.94
FMP8SUP	1/2	0.38 (09.63 mm)	4.08 (103.63 mm)	1.40 (35.56 mm)	2.32 (58.93 mm)	1.12
FMP12SUP	3/4	0.63 (16.00 mm)	4.41 (112.01 mm)	1.44 (36.58 mm)	2.47 (62.74 mm)	1.38
FMP16SUP	1	0.88 (22.35 mm)	4.66 (118.36 mm)	1.63 (41.40 mm)	2.54 (64.52 mm)	1.50

Female Flare Branch Tee

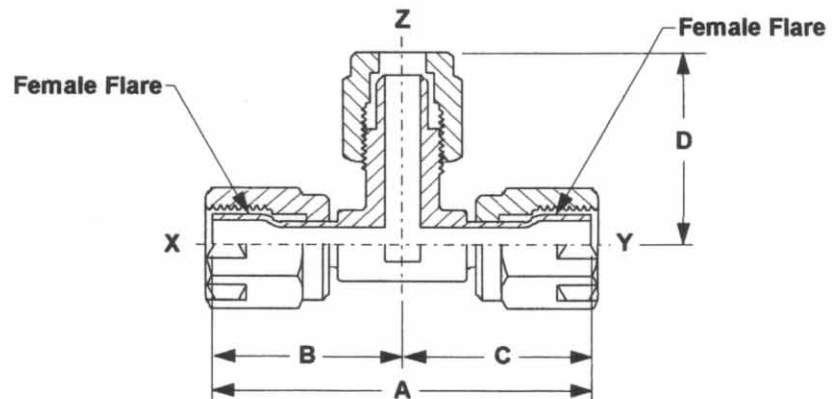
Male Flare Connector
Female Flare Connector



Part No.	X	Y	Z	Orifice	A	B	C	D
FMP8FFBT	1/2	1/2	1/2	0.38 (09.65 mm)	4.26 (108.20 mm)	2.13 (54.10 mm)	2.13 (54.10 mm)	1.91 (48.51 mm)
FMP12FFBT	3/4	3/4	3/4	0.63 (16.00 mm)	4.50 (114.30 mm)	2.25 (57.15 mm)	2.25 (57.15 mm)	2.16 (54.86 mm)
FMPF16FFBT	1	1	1	0.25 (06.35 mm)	5.04 (128.02 mm)	2.52 (64.00 mm)	2.52 (64.00 mm)	2.53 (64.26 mm)

Female Flare Run Tee

Male Flare Connector
Female Flare Connector



Part No.	X	Y	Z	Orifice	A	B	C	D
FMP8FFRT	1/2	1/2	1/2	0.38 (09.65 mm)	3.91 (99.31 mm)	1.91 (48.51 mm)	1.91 (48.51 mm)	2.13 (54.10 mm)
FMP12FFRT	3/4	3/4	3/4	0.63 (16.00 mm)	4.32 (109.73 mm)	2.16 (54.86 mm)	2.16 (54.86 mm)	2.25 (57.15 mm)