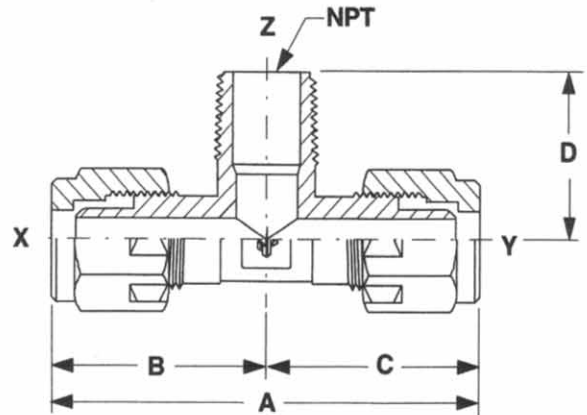


## Male Branch Tee

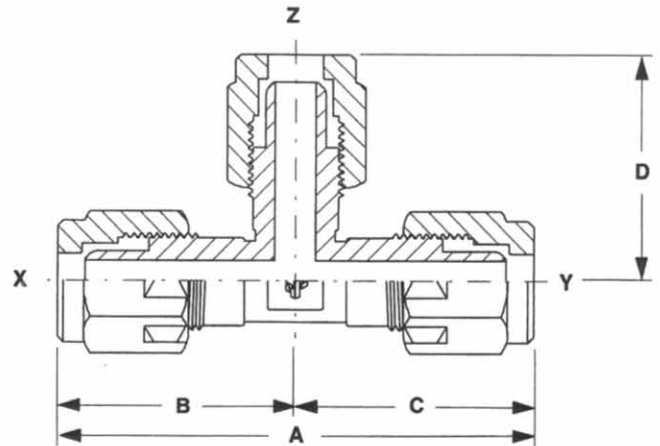
Male Flare Connector  
Male NPT Threads



| Part No. | O.D. Tube Size | O.D. Tube Size | Male NPT Size | Orifice         | A                | B               | C               | D               |
|----------|----------------|----------------|---------------|-----------------|------------------|-----------------|-----------------|-----------------|
|          | X              | Y              | Z             |                 |                  |                 |                 |                 |
| FMP4MBT  | 1/4            | 1/4            | 1/4           | 0.13 (03.30 mm) | 2.88 (73.15 mm)  | 1.44 (36.58 mm) | 1.44 (36.58 mm) | 1.02 (25.91 mm) |
| FMP6MBT  | 3/8            | 3/8            | 3/8           | 0.25 (06.35 mm) | 3.08 (78.23 mm)  | 1.54 (39.12 mm) | 1.54 (39.12 mm) | 0.94 (23.88 mm) |
| FMP8MBT  | 1/2            | 1/2            | 1/2           | 0.38 (09.65 mm) | 4.12 (104.65 mm) | 2.06 (52.32 mm) | 2.06 (52.32 mm) | 1.13 (28.70 mm) |
| FMP12MBT | 3/4            | 3/4            | 3/4           | 0.63 (16.00 mm) | 4.40 (111.76 mm) | 2.20 (55.88 mm) | 2.20 (55.88 mm) | 1.50 (38.10 mm) |
| FMP16MBT | 1              | 1              | 1             | 0.88 (22.35 mm) | 4.94 (125.48 mm) | 2.47 (62.74 mm) | 2.47 (62.74 mm) | 1.88 (47.75 mm) |

## Union Tee

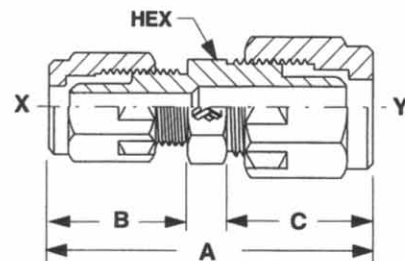
Male Flare Connector



| Part No. | O.D. Tube Size | O.D. Tube Size | O.D. Tube Size | Orifice         | A                | B               | C               | D               |
|----------|----------------|----------------|----------------|-----------------|------------------|-----------------|-----------------|-----------------|
|          | X              | Y              | Z              |                 |                  |                 |                 |                 |
| FMP4UT   | 1/4            | 1/4            | 1/4            | 0.13 (03.30 mm) | 2.88 (73.15 mm)  | 1.44 (36.58 mm) | 1.44 (36.58 mm) | 1.44 (36.58 mm) |
| FMP6UT   | 3/8            | 3/8            | 3/8            | 0.25 (06.35 mm) | 3.08 (78.23 mm)  | 1.54 (39.12 mm) | 1.54 (39.12 mm) | 1.54 (39.12 mm) |
| FMP8UT   | 1/2            | 1/2            | 1/2            | 0.38 (09.65 mm) | 4.12 (104.65 mm) | 2.06 (52.32 mm) | 2.06 (52.32 mm) | 2.06 (52.32 mm) |
| FMP12UT  | 3/4            | 3/4            | 3/4            | 0.63 (16.00 mm) | 4.40 (111.76 mm) | 2.20 (55.88 mm) | 2.20 (55.88 mm) | 2.20 (55.88 mm) |
| FMP16UT  | 1              | 1              | 1              | 0.88 (22.35 mm) | 4.94 (125.48 mm) | 2.47 (62.74 mm) | 2.47 (62.74 mm) | 2.47 (62.74 mm) |

## Straight Union Reducer

Male Flare Connector



| Part No.  | O.D. Tube Size | O.D. Tube Size | Orifice         | A               | B               | C               | Hex Flat |
|-----------|----------------|----------------|-----------------|-----------------|-----------------|-----------------|----------|
|           | X              | Y              |                 |                 |                 |                 |          |
| FMP46UR   | 1/4            | 3/8            | 0.13 (03.30 mm) | 2.63 (66.80 mm) | 1.10 (27.94 mm) | 1.16 (29.46 mm) | 0.68     |
| FMP48UR   | 1/4            | 1/2            | 0.25 (06.35 mm) | 2.87 (72.90 mm) | 1.10 (27.94 mm) | 1.40 (35.56 mm) | 0.87     |
| FMP68UR   | 3/8            | 1/2            | 0.38 (09.63 mm) | 3.07 (72.90 mm) | 1.30 (33.02 mm) | 1.40 (35.56 mm) | 0.87     |
| FMP812UR  | 1/2            | 3/4            | 0.63 (16.00 mm) | 3.36 (85.34 mm) | 1.40 (35.56 mm) | 1.46 (37.08 mm) | 1.38     |
| FMP1216UR | 3/4            | 1              | 0.88 (22.35 mm) | 3.58 (90.93 mm) | 1.46 (37.08 mm) | 1.62 (41.15 mm) | 1.38     |