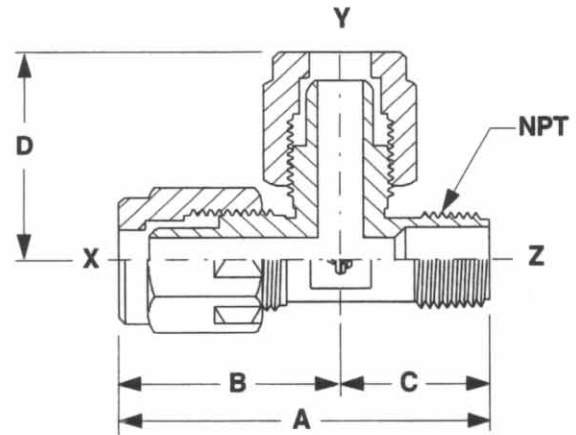


Male Run Tee

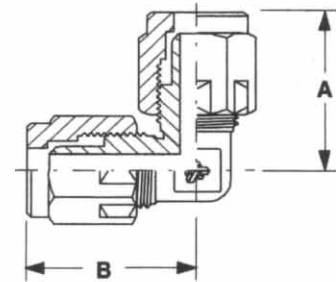
Male Flare Connector
Male Pipe End



Part No.	O.D. Tube Size X	O.D. Tube Size Y	Male Pipe Size Z	Orifice	A	B	C	D
FMP4MRT	1/4	1/4	1/4	0.13 (09.65 mm)	2.41 (61.21 mm)	1.44 (36.58 mm)	0.97 (24.64 mm)	1.44 (36.58 mm)
FMP6MRT	3/8	3/8	3/8	0.25 (09.65 mm)	2.48 (62.99 mm)	1.54 (39.12 mm)	0.94 (23.88 mm)	1.54 (39.12 mm)
FMP8MRT	1/2	1/2	1/2	0.38 (09.65 mm)	3.09 (78.49 mm)	1.85 (46.99 mm)	1.24 (31.50 mm)	1.85 (46.99 mm)
FMP12MRT	3/4	3/4	3/4	0.63 (09.65 mm)	3.72 (94.49 mm)	2.22 (56.39 mm)	1.50 (38.10 mm)	2.22 (56.39 mm)
FMP16MRT	1	1	1	0.88 (16.00 mm)	4.37 (111.00 mm)	2.49 (63.25 mm)	1.88 (47.75 mm)	2.49 (63.25 mm)

Union Elbow

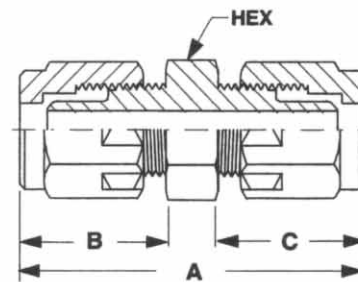
Male Flare Connector



Part No.	O.D. Tube Size	Orifice	A	B
FMP4UE	1/4	0.13 (03.30 mm)	1.50 (38.10 mm)	1.50 (38.10 mm)
FMP6UE	3/8	0.25 (06.35 mm)	1.66 (42.16 mm)	1.66 (42.16 mm)
FMP8UE	1/2	0.38 (09.65 mm)	1.85 (46.99 mm)	1.85 (46.99 mm)
FMP12UE	3/4	0.63 (16.00 mm)	2.20 (55.88 mm)	2.20 (55.88 mm)
FMP16UE	1	0.88 (22.35 mm)	2.49 (63.25 mm)	2.49 (63.25 mm)

Straight Union

Male Flare Connector



Part No.	O.D. Tube Size	Orifice	A	B	C	Hex Flat
FMP4SU	1/4	0.13 (03.30 mm)	2.47 (62.74 mm)	1.10 (27.94 mm)	1.10 (27.94 mm)	0.37
FMP6SU	3/8	0.25 (06.35 mm)	2.75 (69.85 mm)	1.19 (30.23 mm)	1.19 (30.23 mm)	0.68
FMP8SU	1/2	0.38 (09.63 mm)	3.17 (80.52 mm)	1.40 (35.56 mm)	1.40 (35.56 mm)	0.87
FMP12SU	3/4	0.63 (16.00 mm)	3.38 (85.85 mm)	1.44 (36.58 mm)	1.44 (36.58 mm)	1.38
FMP16SU	1	0.88 (22.35 mm)	3.75 (95.25 mm)	1.63 (41.40 mm)	1.63 (41.40 mm)	1.38