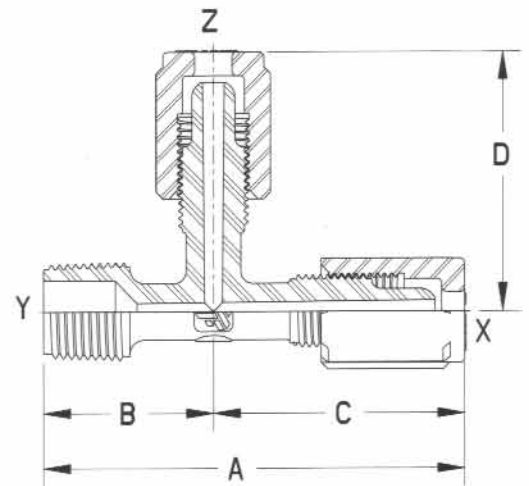
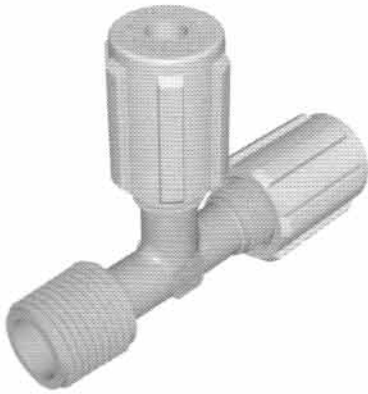
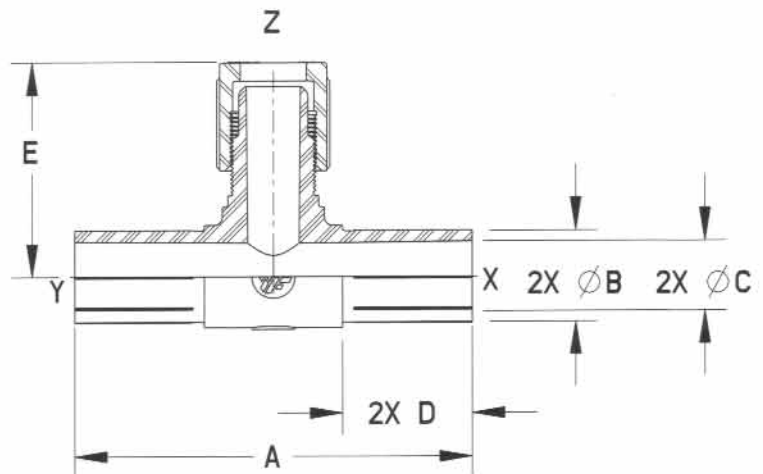
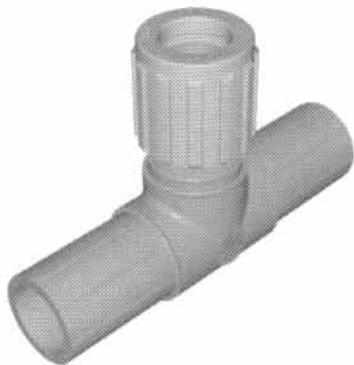


MRT MALE RUN TEE



Ordering No.	Tube x Pipe x Tube X x Y x Z	Orifice (mm)	A (mm)	B (mm)	C (mm)	D (mm)
FMF424MRTN-1	1/4" 1/8" 1/4"	0.150 (3.81)	2.67 (67.7)	0.92 (23.4)	1.75 (44.4)	1.75 (44.4)
FMF444MRTN-1	1/4" 1/4" 1/4"	0.150 (3.81)	2.87 (72.8)	1.12 (28.4)	1.75 (44.4)	1.75 (44.4)
FMF464MRTN-1	1/4" 3/8" 1/4"	0.150 (3.81)	2.93 (74.3)	1.18 (30.0)	1.75 (44.4)	1.75 (44.4)
FMF626MRTN-1	3/8" 1/8" 3/8"	0.250 (6.35)	2.81 (71.5)	0.92 (23.4)	1.89 (48.1)	1.89 (48.1)
FMF646MRTN-1	3/8" 1/4" 3/8"	0.250 (6.35)	3.01 (76.5)	1.12 (28.4)	1.89 (48.1)	1.89 (48.1)
FMF666MRTN-1	3/8" 3/8" 3/8"	0.250 (6.35)	3.07 (78.1)	1.18 (30.0)	1.89 (48.1)	1.89 (48.1)
FMF686MRTN-1	3/8" 1/2" 3/8"	0.250 (6.35)	3.31 (84.2)	1.42 (36.1)	1.89 (48.1)	1.89 (48.1)
FMF868MRTN-1	1/2" 3/8" 1/2"	0.375 (9.53)	3.24 (82.4)	1.18 (30.0)	2.06 (52.4)	2.06 (52.4)
FMF888MRTN-1	1/2" 1/2" 1/2"	0.375 (9.53)	3.48 (88.5)	1.42 (36.1)	2.06 (52.4)	2.06 (52.4)
FMF12812MRTN-1	3/4" 1/2" 3/4"	0.625 (15.88)	3.73 (94.8)	1.42 (36.1)	2.31 (58.8)	2.31 (58.8)
FMF121212MRTN-1	3/4" 3/4" 3/4"	0.625 (15.88)	3.88 (98.6)	1.57 (39.9)	2.31 (58.8)	2.31 (58.8)

BT BRANCH TEE



Ordering No.	Pipe x Pipe x Tube X x Y x Z	Orifice (mm)	A (mm)	ØB (mm)	ØC (mm)	D (mm)	E (mm)
FBBT-888FN-1	1/2" 1/2" 1/2"	0.375 (9.53)	4.60 (116.8)	0.840 (21.34)	0.607 (15.42)	1.50 (38.1)	2.22 (56.5)
FBBT-121212FN-1	3/4" 3/4" 3/4"	0.625 (15.88)	4.60 (116.8)	1.050 (26.67)	0.809 (20.55)	1.50 (38.1)	2.32 (59.0)