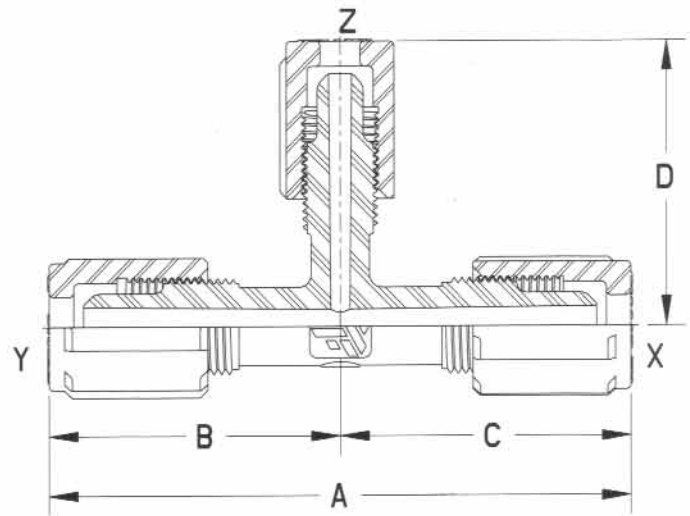


UTR UNION TEE REDUCER



Ordering No.	Tube Size			Orifice (mm)	A (mm)	B (mm)	C (mm)	D (mm)
	X	x	Y x Z					
FMF664UTRN-1	3/8"	3/8"	1/4"	0.150 (3.81)	3.79 (96.2)	1.89 (48.1)	1.89 (48.1)	1.80 (45.6)
FMF668UTRN-1	3/8"	3/8"	1/2"	0.250 (6.35)	4.05 (102.8)	2.02 (51.4)	2.02 (51.4)	2.06 (52.4)
FMF6612UTRN-1	3/8"	3/8"	3/4"	0.250 (6.35)	4.53 (115.0)	2.26 (57.5)	2.26 (57.5)	2.31 (58.8)
FMF884UTRN-1	1/2"	1/2"	1/4"	0.150 (3.81)	4.13 (104.8)	2.06 (52.4)	2.06 (52.4)	1.86 (47.2)
FMF886UTRN-1	1/2"	1/2"	3/8"	0.250 (6.35)	4.13 (104.8)	2.06 (52.4)	2.06 (52.4)	1.95 (49.6)
FMF12124UTRN-1	3/4"	3/4"	1/4"	0.150 (3.81)	4.63 (117.5)	2.31 (58.8)	2.31 (58.8)	2.01 (51.0)
FMF12812UTRN-1	3/4"	1/2"	3/4"	0.875 (22.23)	5.43 (138.0)	2.63 (66.8)	2.80 (71.2)	2.80 (71.2)
FMF16168UTRN-1	1"	1"	1/2"	0.375 (9.53)	5.61 (142.4)	2.80 (71.2)	2.80 (71.2)	2.45 (62.3)
FMF161612UTRN-1	1"	1"	3/4"	0.875 (22.23)	5.43 (138.0)	2.63 (66.8)	2.80 (71.2)	2.80 (71.2)
FMF646UTRN-1	3/8"	1/4"	3/8"	0.150 (3.81)	3.74 (95.0)	1.85 (46.9)	1.89 (48.1)	1.89 (48.1)
FMF848UTRN-1	1/2"	1/4"	1/2"	0.150 (3.81)	3.91 (99.3)	1.85 (46.9)	2.06 (52.4)	2.06 (52.4)
FMF12812UTRN-1	3/4"	1/2"	3/4"	0.375 (9.53)	4.52 (114.7)	2.20 (56.0)	2.31 (58.8)	2.31 (58.8)
FMF1248UTRN-1	3/4"	1/4"	1/2"	0.150 (3.81)	4.07 (103.4)	1.76 (44.6)	2.31 (58.8)	1.96 (49.9)
FMF844UTRN-1	1/2"	1/4"	1/4"	0.150 (3.81)	3.81 (96.8)	2.06 (52.4)	1.75 (44.4)	1.75 (44.4)
FMF866UTRN-1	1/2"	3/8"	3/8"	0.250 (6.35)	3.96 (100.5)	2.06 (52.4)	1.89 (48.1)	1.89 (48.1)
FMF1288UTRN-1	3/4"	1/2"	1/2"	0.375 (9.53)	4.38 (111.2)	2.31 (58.8)	2.06 (52.4)	2.06 (52.4)