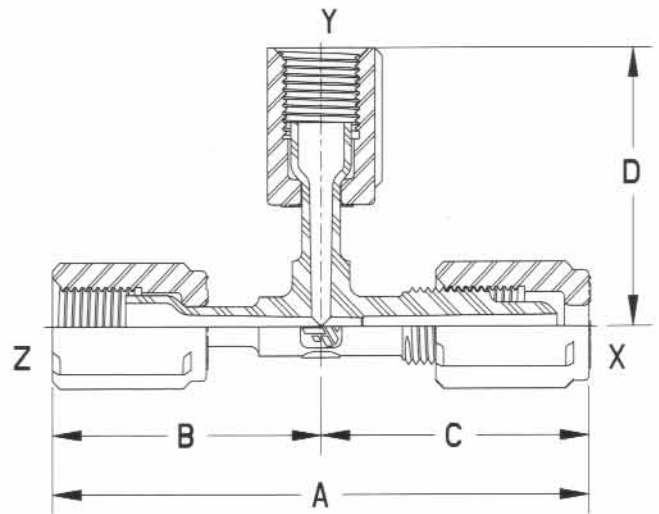
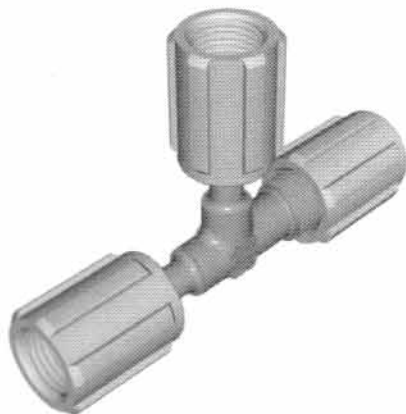
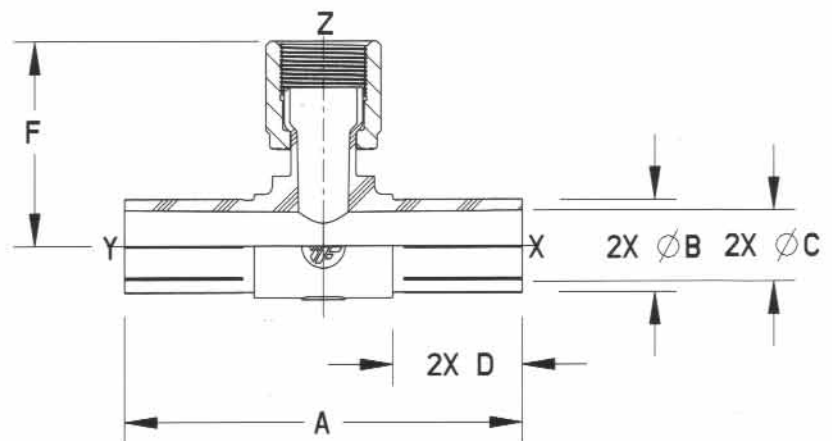
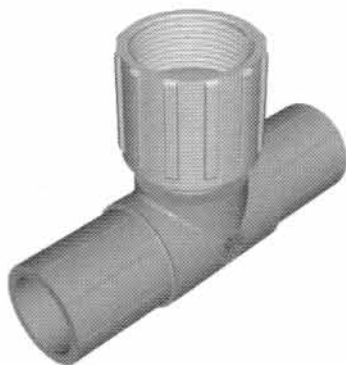


UTRFF III UNION TEE REDUCER FEMALE FLARE III



Ordering No.	Tube Size			Orifice (mm)	A (mm)	B (mm)	C (mm)	D (mm)
	X	x	Y x Z					
FMF44FF4FFUTRFFN-1	1/4"	1/4"	1/4"	0.150 (3.81)	3.49 (88.7)	1.75 (44.4)	1.75 (44.4)	1.76 (44.6)
FMF88FF8FFUTRFFN-1	1/2"	1/2"	1/2"	0.375 (9.53)	3.86 (98.1)	1.80 (45.7)	2.06 (52.4)	1.80 (45.7)
FMF128FF12FFUTRFFN-1	3/4"	1/2"	3/4"	0.375 (9.53)	4.44 (112.7)	2.12 (54.0)	2.31 (58.8)	1.98 (50.3)
FMF812FF12FFUTRFFN-1	3/4"	3/4"	1/2"	0.625 (15.88)	4.19 (106.4)	2.12 (54.0)	2.06 (52.4)	2.12 (54.0)
FMF1212FF12FFUTRFFN-1	3/4"	3/4"	3/4"	0.625 (15.88)	4.44 (112.7)	2.12 (54.0)	2.31 (58.8)	2.12 (54.0)

BTFF BRANCH TEE FEMALE FLARE



Ordering No.	Pipe x Pipe x Tube			Orifice (mm)	A (mm)	ØB (mm)	ØC (mm)	D (mm)	F (mm)
	X	x	Y x Z						
FBBT-888FFN-1	1/2"	1/2"	1/2"	0.375 (9.53)	4.60 (116.8)	0.840 (21.34)	0.607 (15.42)	1.50 (38.1)	2.16 (55.0)
FBBT-121212FFN-1	3/4"	3/4"	3/4"	0.625 (15.88)	4.60 (116.8)	1.050 (26.67)	0.809 (20.55)	1.50 (38.1)	2.57 (65.3)
FBBT-121216FFN-1	3/4"	3/4"	1"	0.809 (20.55)	4.92 (125.0)	1.050 (26.67)	0.809 (20.55)	1.50 (38.1)	2.76 (70.2)