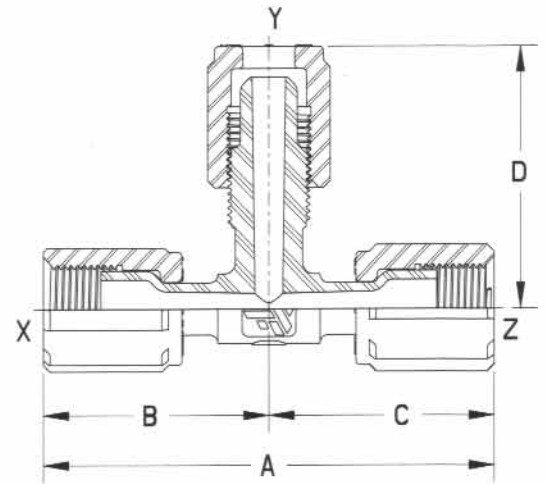
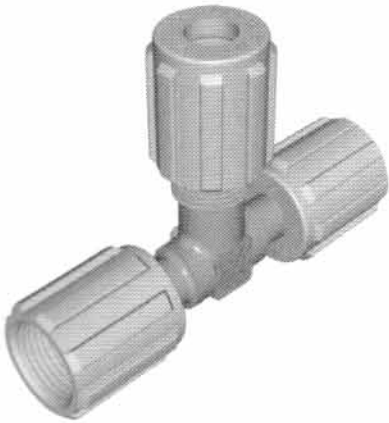
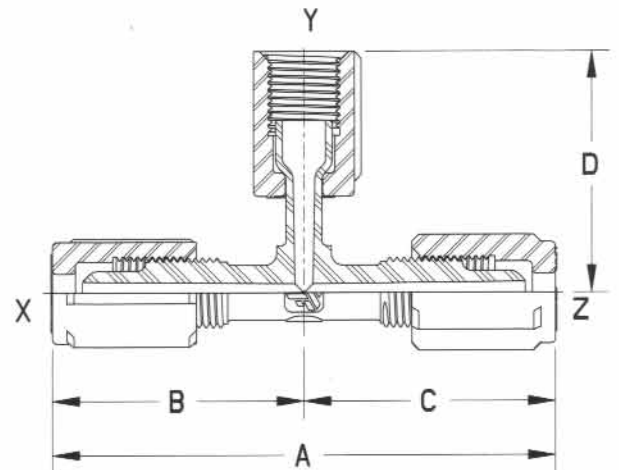
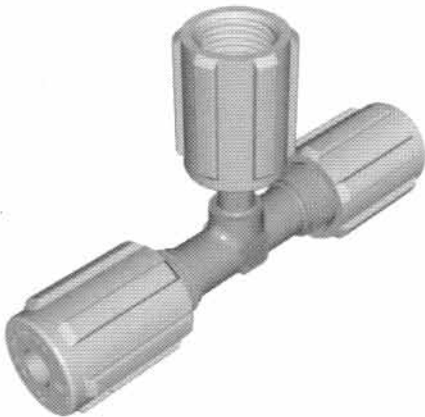


UTRFF I UNION TEE REDUCER FEMALE FLARE I



Ordering No.	Tube Size			Orifice (mm)	A (mm)	B (mm)	C (mm)	D (mm)
	X	x	Y x Z					
FMF6FF66FFUTRFFN-1	3/8"	3/8"	3/8"	0.250 (6.35)	3.36 (85.2)	1.68 (42.6)	1.68 (42.6)	1.89 (48.1)
FMF8FF88FFUTRFFN-1	1/2"	1/2"	1/2"	0.375 (9.53)	3.60 (91.4)	1.80 (45.7)	1.80 (45.7)	2.06 (52.4)
FMF8FF128FFUTRFFN-1	1/2"	3/4"	1/2"	0.625 (15.88)	3.60 (91.4)	1.80 (45.7)	1.80 (45.7)	2.31 (58.8)
FMF12FF1212FFUTRFFN-1	3/4"	3/4"	3/4"	0.625 (15.88)	4.26 (108.2)	2.13 (54.1)	2.13 (54.1)	2.31 (58.8)

UTRFF II UNION TEE REDUCER FEMALE FLARE II



Ordering No.	Tube Size			Orifice (mm)	A (mm)	B (mm)	C (mm)	D (mm)
	X	x	Y x Z					
FMF44FF4UTRFFN-1	1/4"	1/4"	1/4"	0.150 (3.81)	3.49 (88.7)	1.75 (44.4)	1.75 (44.4)	1.67 (42.3)
FMF64FF6UTRFFN-1	3/8"	1/4"	3/8"	0.150 (3.81)	3.79 (96.2)	1.89 (48.1)	1.89 (48.1)	1.73 (43.9)
FMF88FF8UTRFFN-1	1/2"	1/2"	1/2"	0.375 (9.53)	4.13 (104.8)	2.06 (52.4)	2.06 (52.4)	1.80 (45.7)
FMF124FF12UTRFFN-1	3/4"	1/4"	3/4"	0.150 (3.81)	4.63 (117.5)	2.31 (58.8)	2.31 (58.8)	1.92 (48.7)
FMF128FF12UTRFFN-1	3/4"	1/2"	3/4"	0.375 (9.53)	4.63 (117.5)	2.31 (58.8)	2.31 (58.8)	1.89 (48.1)
FMF1212FF12UTRFFN-1	3/4"	3/4"	3/4"	0.625 (15.88)	4.63 (117.5)	2.31 (58.8)	2.31 (58.8)	2.13 (54.2)