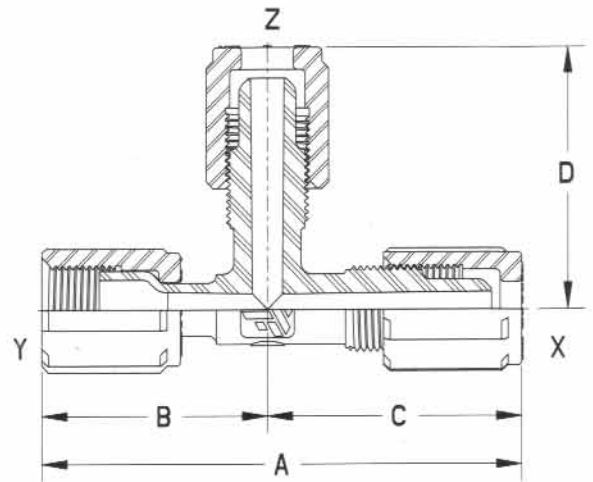
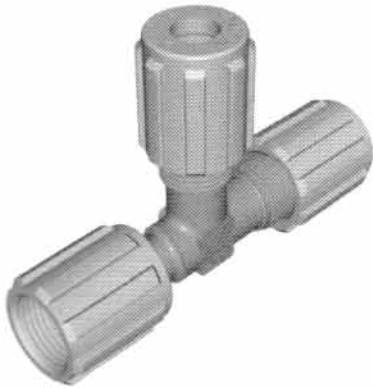
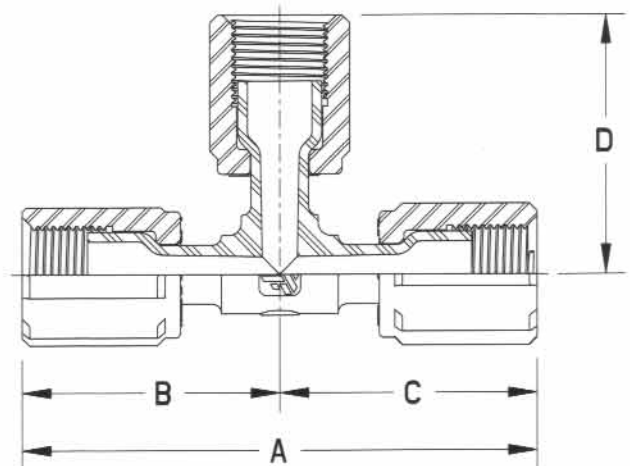
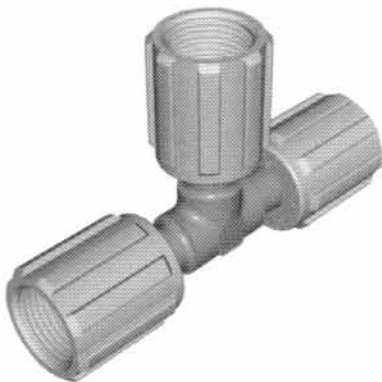


UTFF I UNION TEE FEMALE FLARE I



Ordering No.	Tube Size			Orifice (mm)	A (mm)	B (mm)	C (mm)	D (mm)
	X	x Y x	Z					
FMF66FF6UTFFN-1	3/8"	3/8"	3/8"	0.250 (6.35)	3.57 (90.7)	1.68 (42.6)	1.89 (48.1)	1.89 (48.1)
FMF88FF8UTFFN-1	1/2"	1/2"	1/2"	0.375 (9.53)	3.86 (98.1)	1.80 (45.7)	2.06 (52.4)	2.06 (52.4)
FMF128FF12UTFFN-1	3/4"	1/2"	3/4"	0.375 (9.53)	4.24 (107.6)	1.92 (48.9)	2.31 (58.8)	2.31 (58.8)
FMF1212FF12UTFFN-1	3/4"	3/4"	3/4"	0.625 (15.88)	4.44 (112.8)	2.13 (54.1)	2.31 (58.8)	2.31 (58.8)
FMF1616FF16UTFFN-1	1"	1"	1"	0.875 (22.23)	5.43 (138.0)	2.63 (66.8)	2.80 (71.2)	2.80 (71.2)
FMF66FF4UTFFN-1	3/8"	3/8"	1/4"	0.150 (3.81)	3.57 (90.7)	1.68 (42.6)	1.89 (48.1)	1.80 (45.6)
FMF88FF4UTFFN-1	1/2"	1/2"	1/4"	0.150 (3.81)	3.86 (98.1)	1.80 (45.7)	2.06 (52.4)	1.87 (47.6)
FMF1212FF6UTFFN-1	3/4"	3/4"	3/8"	0.250 (6.35)	4.44 (112.8)	2.13 (54.1)	2.31 (58.8)	2.17 (55.2)

UTFF III UNION TEE FEMALE FLARE III



Ordering No.	Tube (mm) Size	Orifice (mm)	A (mm)	B (mm)	C (mm)	D (mm)
FMF6UTFFN-1	3/8" (9.5)	0.250 (6.35)	3.35 (85.2)	1.68 (42.6)	1.68 (42.6)	1.68 (42.6)
FMF8UTFFN-1	1/2" (12.7)	0.375 (9.53)	3.60 (91.4)	1.80 (45.7)	1.80 (45.7)	1.80 (45.7)
FMF12UTFF-1	3/4" (19.1)	0.625 (15.88)	4.26 (108.2)	2.13 (54.1)	2.13 (54.1)	2.13 (54.1)
FMF16UTFF-1	1" (25.4)	0.875 (22.23)	5.26 (133.6)	2.63 (66.8)	2.63 (66.8)	2.63 (66.8)