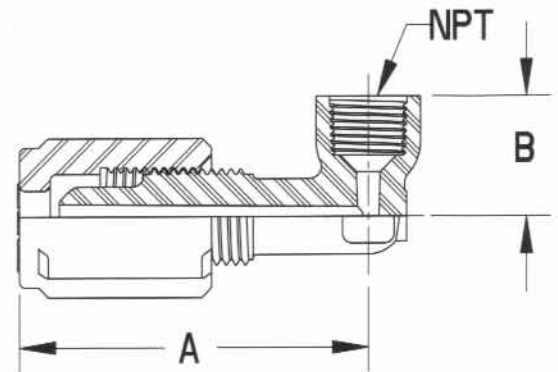
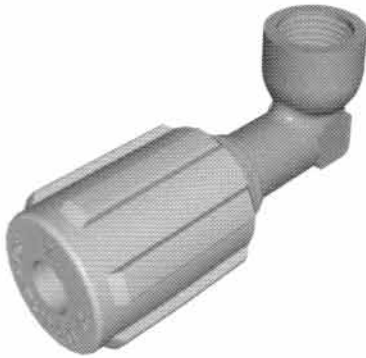
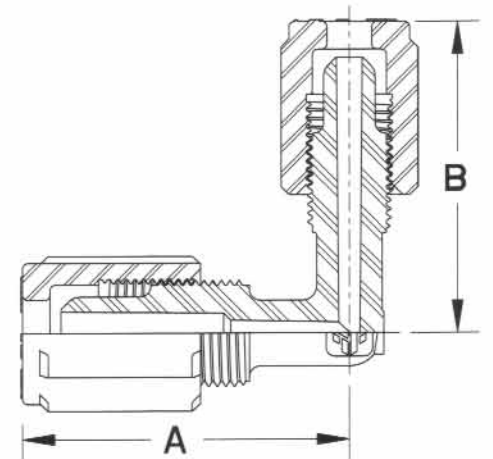


EAF ELBOW ADAPTER FEMALE



Ordering No.	Tube (mm) Size	Male (mm) NTP	Orifice (mm)	A (mm)	B (mm)
FMF42EAFN - 1	1/4" (6.4)	1/8" (3.2)	0.125 (3.18)	1.82 (46.2)	0.61 (15.5)
FMF44EAFN - 1	1/4" (6.4)	1/4" (6.4)	0.125 (3.18)	1.82 (46.2)	0.88 (22.4)
FMF64EAFN - 1	3/8" (9.5)	1/4" (6.4)	0.250 (6.35)	1.96 (49.9)	0.85 (21.6)
FMF66EAFN - 1	3/8" (9.5)	3/8" (9.5)	0.250 (6.35)	1.95 (49.6)	0.91 (23.1)
FMF68EAFN - 1	3/8" (9.5)	1/2" (12.7)	0.250 (6.35)	1.96 (49.9)	1.13 (28.7)
FMF84EAFN - 1	1/2" (12.7)	1/4" (6.4)	0.375 (9.53)	2.09 (53.2)	0.88 (22.4)
FMF86EAFN - 1	1/2" (12.7)	3/8" (9.5)	0.375 (9.53)	2.09 (53.2)	1.00 (25.4)
FMF88EAFN - 1	1/2" (12.7)	1/2" (12.7)	0.375 (9.53)	2.09 (53.2)	1.25 (31.8)
FMF1616EAFN - 1	1" (25.4)	1" (25.4)	0.875 (22.23)	3.00 (76.3)	1.50 (38.1)

UER UNION ELBOW REDUCER



Ordering No.	Tube (mm) Size	Tube (mm) Size	Orifice (mm)	A (mm)	B (mm)
FMF64UERN-1	3/8" (9.5)	1/4" (6.4)	0.150 (3.81)	1.89 (48.1)	1.80 (45.6)
FMF84UERN-1	1/2" (12.7)	1/4" (6.4)	0.150 (3.81)	2.06 (52.4)	1.80 (45.6)
FMF86UERN-1	1/2" (12.7)	3/8" (9.5)	0.250 (6.35)	2.06 (52.4)	1.89 (48.1)
FMF124UERN-1	3/4" (19.1)	1/4" (6.4)	0.150 (3.81)	2.31 (58.8)	1.80 (45.6)
FMF126UERN-1	3/4" (19.1)	3/8" (9.5)	0.250 (6.35)	2.31 (58.8)	1.89 (48.1)
FMF128UERN-1	3/4" (19.1)	1/2" (12.7)	0.375 (9.53)	2.31 (58.8)	2.06 (52.4)
FMF1612UERN-1	1" (25.4)	3/4" (19.1)	0.625 (15.88)	2.80 (71.2)	2.31 (58.8)