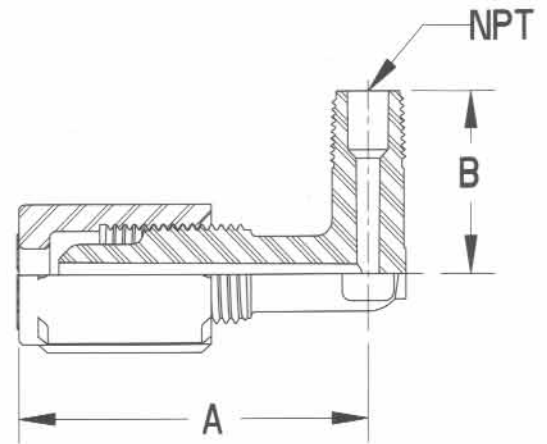
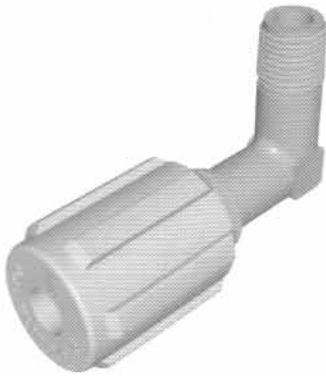


EAM ELBOW ADAPTER MALE



Ordering No.	Tube (mm) Size	Male (mm) NTP	Orifice (mm)	A (mm)	B (mm)
FMF42EAMN - 1	1/4" (6.4)	1/8" (3.2)	0.125 (3.18)	1.82 (46.2)	0.92 (23.4)
FMF44EAMN - 1	1/4" (6.4)	1/4" (6.4)	0.125 (3.18)	1.82 (46.2)	1.12 (28.4)
FMF46EAMN - 1	1/4" (6.4)	3/8" (9.5)	0.125 (3.18)	1.82 (46.2)	1.12 (28.4)
FMF48EAMN - 1	1/4" (6.4)	1/2" (12.7)	0.125 (3.18)	1.82 (46.2)	1.31 (33.3)
FMF62EAMN - 1	3/8" (9.5)	1/8" (3.2)	0.200 (5.08)	1.95 (49.6)	0.97 (24.6)
FMF64EAMN - 1	3/8" (9.5)	1/4" (6.4)	0.250 (6.35)	1.95 (49.6)	1.18 (30.0)
FMF66EAMN - 1	3/8" (9.5)	3/8" (9.5)	0.250 (6.35)	1.95 (49.6)	1.18 (30.0)
FMF68EAMN - 1	3/8" (9.5)	1/2" (12.7)	0.250 (6.35)	1.96 (49.9)	1.36 (34.5)
FMF612EAMN - 1	3/8" (9.5)	3/4" (19.1)	0.250 (6.35)	2.17 (55.2)	1.36 (34.5)
FMF84EAMN - 1	1/2" (12.7)	1/4" (6.4)	0.290 (7.37)	2.09 (53.2)	1.24 (31.5)
FMF86EAMN - 1	1/2" (12.7)	3/8" (9.5)	0.375 (9.53)	2.09 (53.2)	1.24 (31.5)
FMF88EAMN - 1	1/2" (12.7)	1/2" (12.7)	0.375 (9.53)	2.09 (53.2)	1.42 (36.1)
FMF812EAMN - 1	1/2" (12.7)	3/4" (19.1)	0.375 (9.53)	2.26 (57.5)	1.42 (36.1)
FMF128EAMN - 1	3/4" (19.1)	1/2" (12.7)	0.540 (13.72)	2.44 (62.1)	1.57 (39.9)
FMF1212EAMN - 1	3/4" (19.1)	3/4" (19.1)	0.625 (15.88)	2.45 (62.3)	1.57 (39.9)
FMF1216EAMN - 1	3/4" (19.1)	1" (25.4)	0.625 (15.88)	2.72 (69.2)	1.78 (45.2)
FMF1612EAMN - 1	1" (25.4)	3/4" (19.1)	0.660 (16.76)	2.80 (71.2)	1.82 (46.2)
FMF1616EAMN - 1	1" (25.4)	1" (25.4)	0.875 (22.23)	3.00 (76.3)	2.02 (51.3)