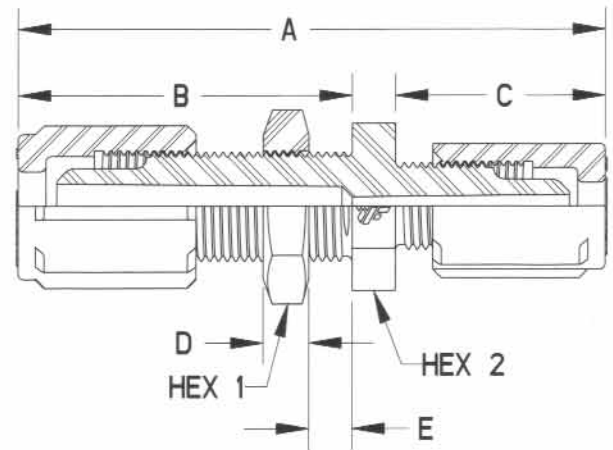


SUPR STRAIGHT UNION PANEL REDUCER



Ordering No.	Tube (mm) Size	Tube (mm) Size	Orifice (mm)	A (mm)	B (mm)	C (mm)	D (mm)
FMF64SUPRN-1	3/8" (9.5)	1/4" (6.4)	0.125 (25.53)	3.40 (86.4)	1.93 (49.1)	1.22 (30.9)	0.27 (6.7)
FMF84SUPRN-1	1/2" (12.7)	1/4" (6.4)	0.125 (25.53)	3.54 (89.9)	2.07 (52.7)	1.22 (30.9)	0.27 (6.7)
FMF86SUPRN-1	1/2" (12.7)	3/8" (9.5)	0.250 (25.65)	3.64 (92.4)	2.07 (52.7)	1.31 (33.4)	0.27 (6.7)
FMF128SUPRN-1	3/4" (19.1)	1/2" (12.7)	0.375 (25.78)	3.99 (101.2)	2.38 (60.5)	1.35 (34.4)	0.27 (6.7)
FMF1612SUPRN-1	1" (25.4)	3/4" (19.1)	0.625 (26.03)	4.24 (107.7)	2.48 (6.31)	1.51 (38.3)	0.27 (6.7)

Ordering No.	Tube (mm) Size	Tube (mm) Size	Orifice (mm)	E (mm) Max	HEX 1 (mm)	HEX 2 (mm)
FMF64SUPRN-1	3/8" (9.5)	1/4" (6.4)	0.125 (25.53)	0.25 (6.4)	0.94 (23.9)	0.81 (20.6)
FMF84SUPRN-1	1/2" (12.7)	1/4" (6.4)	0.125 (25.53)	0.25 (6.4)	1.06 (26.9)	0.94 (23.9)
FMF86SUPRN-1	1/2" (12.7)	3/8" (9.5)	0.250 (25.65)	0.25 (6.4)	1.06 (26.9)	0.94 (23.9)
FMF128SUPRN-1	3/4" (19.1)	1/2" (12.7)	0.375 (25.78)	0.25 (6.4)	1.31 (33.3)	1.19 (30.2)
FMF1612SUPRN-1	1" (25.4)	3/4" (19.1)	0.625 (26.03)	0.25 (6.4)	1.75 (44.5)	1.75 (44.5)