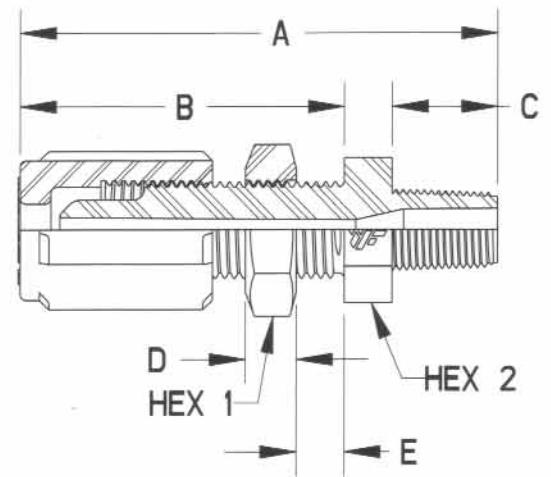


# UAMP UNION ADAPTER MALE PANEL



Ordering No.	Tube (mm) Size	Male (mm) NTP	Orifice (mm)	A (mm)	B (mm)	C (mm)	D (mm)
FMF42UAMPN - 1	1/4" (6.4)	1/8" (3.2)	0.150 (3.81)	2.60 (66.0)	1.80 (45.6)	0.55 (14.0)	0.27 (6.7)
FMF44UAMPN - 1	1/4" (6.4)	1/4" (6.4)	0.150 (3.81)	2.60 (66.0)	1.80 (45.6)	0.55 (14.0)	0.27 (6.7)
FMF66UAMPN - 1	3/8" (9.5)	3/8" (9.5)	0.250 (6.35)	2.73 (69.4)	1.93 (49.1)	0.55 (14.0)	0.27 (6.7)
FMF84UAMPN - 1	1/2" (12.7)	1/4" (6.4)	0.302 (7.67)	2.87 (73.0)	2.07 (52.7)	0.55 (14.0)	0.27 (6.7)
FMF86UAMPN - 1	1/2" (12.7)	3/8" (9.5)	0.375 (9.53)	2.87 (73.0)	2.07 (52.7)	0.55 (14.0)	0.27 (6.7)
FMF88UAMPN - 1	1/2" (12.7)	1/2" (12.7)	0.375 (9.53)	2.99 (76.0)	2.07 (52.7)	0.67 (17.0)	0.27 (6.7)
FMF128UAMPN - 1	3/4" (19.1)	1/2" (12.7)	0.546 (13.87)	3.30 (83.9)	2.38 (60.5)	0.67 (17.0)	0.27 (6.7)
FMF1212UAMPN - 1	3/4" (19.1)	3/4" (19.1)	0.625 (15.88)	3.30 (83.9)	2.38 (60.5)	0.67 (17.0)	0.27 (6.7)
FMF1612UAMPN - 1	1" (25.4)	3/4" (19.1)	0.742 (18.85)	3.40 (86.4)	2.48 (63.1)	0.67 (17.0)	0.27 (6.7)
FMF1616UAMPN - 1	1" (25.4)	1" (25.4)	0.875 (22.23)	3.40 (86.4)	2.48 (63.1)	0.67 (17.0)	0.27 (6.7)

Ordering No.	Tube (mm) Size	Male (mm) NTP	Orifice (mm)	E (mm) Max	HEX 1 (mm)	HEX 2 (mm)
FMF42UAMPN - 1	1/4" (6.4)	1/8" (3.2)	0.150 (3.81)	0.25 (6.4)	0.75 (19.1)	0.63 (16.0)
FMF44UAMPN - 1	1/4" (6.4)	1/4" (6.4)	0.150 (3.81)	0.25 (6.4)	0.75 (19.1)	0.69 (17.5)
FMF66UAMPN - 1	3/8" (9.5)	3/8" (9.5)	0.250 (6.35)	0.25 (6.4)	0.94 (23.9)	0.81 (20.6)
FMF84UAMPN - 1	1/2" (12.7)	1/4" (6.4)	0.302 (7.67)	0.25 (6.4)	1.06 (26.9)	0.94 (23.9)
FMF86UAMPN - 1	1/2" (12.7)	3/8" (9.5)	0.375 (9.53)	0.25 (6.4)	1.06 (26.9)	0.94 (23.9)
FMF88UAMPN - 1	1/2" (12.7)	1/2" (12.7)	0.375 (9.53)	0.25 (6.4)	1.06 (26.9)	0.94 (23.9)
FMF128UAMPN - 1	3/4" (19.1)	1/2" (12.7)	0.546 (13.87)	0.25 (6.4)	1.31 (33.3)	1.19 (30.2)
FMF1212UAMPN - 1	3/4" (19.1)	3/4" (19.1)	0.625 (15.88)	0.25 (6.4)	1.31 (33.3)	1.19 (30.2)
FMF1612UAMPN - 1	1" (25.4)	3/4" (19.1)	0.742 (18.85)	0.25 (6.4)	1.75 (44.5)	1.44 (36.6)
FMF1616UAMPN - 1	1" (25.4)	1" (25.4)	0.875 (22.23)	0.25 (6.4)	1.75 (44.5)	1.44 (36.6)