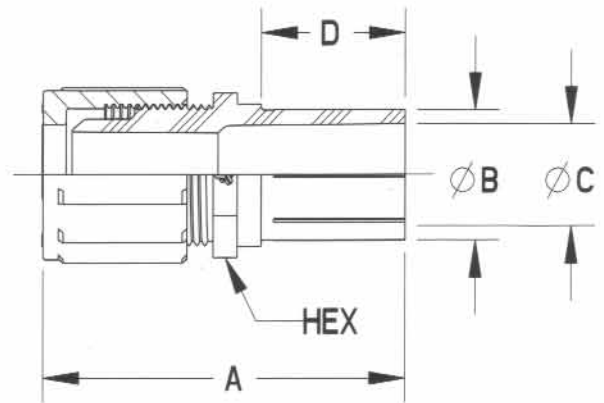


UA UNION ADAPTER



Ordering No.	Tube (mm) Size	Pipe (mm) Size	Orifice (mm)	A (mm)	ØB (mm)	ØC (mm)	D (mm)	HEX (mm)
FBUA - 4F4N-1	1/4" (6.4)	1/4" (6.4)	0.125 (3.18)	2.22 (56.3)	0.540 (13.72)	0.354 (8.99)	0.50 (12.7)	0.68 (17.3)
FBUA - 4F8N-1	1/4" (6.4)	1/2" (12.7)	0.125 (3.18)	3.22 (81.7)	0.840 (21.34)	0.607 (15.42)	1.50 (38.1)	0.94 (23.9)
FBUA - 4F12N-1	1/4" (6.4)	3/4" (19.1)	0.125 (3.18)	3.22 (81.7)	1.050 (26.67)	0.809 (20.55)	1.50 (38.1)	1.18 (30.0)
FBUA - 6F4N-1	3/8" (9.5)	1/4" (6.4)	0.250 (6.35)	2.31 (58.7)	0.540 (13.72)	0.354 (8.99)	0.50 (12.7)	0.81 (20.6)
FBUA - 6F8N-1	3/8" (9.5)	1/2" (12.7)	0.250 (6.35)	3.31 (84.1)	0.840 (21.34)	0.607 (15.42)	1.50 (38.1)	0.94 (23.9)
FBUA - 6F12N-1	3/8" (9.5)	3/4" (19.1)	0.250 (6.35)	3.31 (84.1)	1.050 (26.67)	0.809 (20.55)	1.50 (38.1)	1.18 (30.0)
FBUA - 8F8N-1	1/2" (12.7)	1/2" (12.7)	0.375 (9.53)	3.42 (86.9)	0.840 (21.34)	0.607 (15.42)	1.53 (38.9)	0.94 (23.9)
FBUA - 8F12N-1	1/2" (12.7)	3/4" (19.1)	0.375 (9.53)	3.42 (86.9)	1.050 (26.67)	0.809 (20.55)	1.50 (38.1)	1.18 (30.0)
FBUA - 8F16N-1	1/2" (12.7)	1" (25.4)	0.375 (9.53)	3.42 (86.9)	1.315 (33.40)	1.034 (26.26)	1.50 (38.1)	1.44 (36.6)
FBUA - 12F8N-1	3/4" (19.1)	1/2" (12.7)	0.625 (15.88)	3.52 (89.5)	0.840 (21.34)	0.607 (15.42)	1.53 (38.9)	1.18 (30.0)
FBUA - 12F12N-1	3/4" (19.1)	3/4" (19.1)	0.625 (15.88)	3.52 (89.5)	1.050 (26.67)	0.809 (20.55)	1.50 (38.1)	1.18 (30.0)
FBUA - 12F16N-1	3/4" (19.1)	1" (25.4)	0.625 (15.88)	3.52 (89.5)	1.315 (33.40)	1.034 (26.26)	1.50 (38.1)	1.44 (36.6)
FBUA - 16F8N-1	1" (25.4)	1/2" (12.7)	0.875 (22.23)	3.77 (95.8)	0.840 (21.34)	0.607 (15.42)	1.50 (38.1)	1.44 (36.6)
FBUA - 16F12N-1	1" (25.4)	3/4" (19.1)	0.875 (22.23)	3.77 (95.8)	1.050 (26.67)	0.809 (20.55)	1.50 (38.1)	1.44 (36.6)
FBUA - 16F16N-1	1" (25.4)	1" (25.4)	0.875 (22.23)	3.77 (95.8)	1.315 (33.40)	1.034 (26.26)	1.50 (38.1)	1.44 (36.6)
FBUA - 16F24N-1	1" (25.4)	1-1/2" (38.1)	0.875 (22.23)	3.77 (95.8)	1.900 (48.26)	1.610 (40.89)	1.50 (38.1)	2.03 (51.6)
FBUA - 16F32N-1	1" (25.4)	2" (50.8)	0.875 (22.23)	3.77 (95.8)	2.375 (60.33)	2.052 (52.12)	1.50 (38.1)	2.50 (63.5)