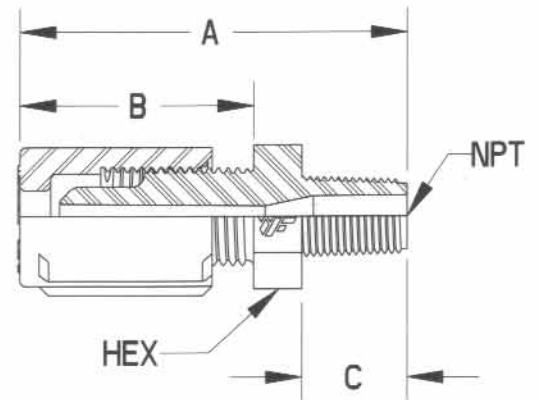


# UAM UNION ADAPTER MALE



Ordering No.	Tube (mm) Size	Male (mm) NPT	Orifice (mm)	A (mm)	B (mm)	C (mm)	HEX (mm)
FMF42UAMN - 1	1/4" (6.4)	1/8" (3.2)	0.125 (3.18)	2.02 (51.2)	1.22 (30.9)	0.55 (14.0)	0.63 (16.0)
FMF44UAMN - 1	1/4" (6.4)	1/4" (6.4)	0.125 (3.18)	2.02 (51.2)	1.22 (30.9)	0.55 (14.0)	0.63 (16.0)
FMF46UAMN - 1	1/4" (6.4)	3/8" (9.5)	0.125 (3.18)	2.02 (51.2)	1.22 (30.9)	0.55 (14.0)	0.81 (20.6)
FMF48UAMN - 1	1/4" (6.4)	1/2" (12.7)	0.125 (3.18)	2.14 (54.3)	1.22 (30.9)	0.67 (17.0)	0.94 (23.9)
FMF412UAMN - 1	1/4" (6.4)	3/4" (19.1)	0.125 (3.18)	2.14 (54.3)	1.22 (30.9)	0.67 (17.0)	1.19 (30.2)
FMF62UAMN - 1	3/8" (9.5)	1/8" (3.2)	0.215 (5.46)	2.11 (53.7)	1.31 (33.4)	0.55 (14.0)	0.81 (20.6)
FMF64UAMN - 1	3/8" (9.5)	1/4" (6.4)	0.250 (6.35)	2.11 (53.7)	1.31 (33.4)	0.55 (14.0)	0.81 (20.6)
FMF66UAMN - 1	3/8" (9.5)	3/8" (9.5)	0.250 (6.35)	2.11 (53.7)	1.31 (33.4)	0.55 (14.0)	0.81 (20.6)
FMF68UAMN - 1	3/8" (9.5)	1/2" (12.7)	0.250 (6.35)	2.23 (56.7)	1.31 (33.4)	0.67 (17.0)	0.94 (23.9)
FMF612UAMN - 1	3/8" (9.5)	3/4" (19.1)	0.250 (6.35)	2.23 (56.7)	1.31 (33.4)	0.67 (17.0)	1.19 (30.2)
FMF616UAMN - 1	3/8" (9.5)	1" (25.4)	0.250 (6.35)	2.41 (61.3)	1.31 (33.4)	0.85 (21.6)	1.44 (36.6)
FMF82UAMN - 1	1/2" (12.7)	1/8" (3.2)	0.215 (5.46)	2.22 (56.5)	1.42 (36.1)	0.55 (14.0)	0.94 (23.9)
FMF84UAMN - 1	1/2" (12.7)	1/4" (6.4)	0.302 (7.67)	2.22 (56.5)	1.42 (36.1)	0.55 (14.0)	0.94 (23.9)
FMF86UAMN - 1	1/2" (12.7)	3/8" (9.5)	0.375 (9.53)	2.22 (56.5)	1.42 (36.1)	0.55 (14.0)	0.94 (23.9)
FMF88UAMN - 1	1/2" (12.7)	1/2" (12.7)	0.375 (9.53)	2.34 (59.5)	1.42 (36.1)	0.67 (17.0)	0.94 (23.9)
FMF812UAMN - 1	1/2" (12.7)	3/4" (19.1)	0.375 (9.53)	2.34 (59.5)	1.42 (36.1)	0.67 (17.0)	1.19 (30.2)
FMF816UAMN - 1	1/2" (12.7)	1" (25.4)	0.375 (9.53)	2.52 (64.1)	1.42 (36.1)	0.85 (21.6)	1.44 (36.6)
FMF128UAMN - 1	3/4" (12.7)	1/2" (12.7)	0.546 (13.87)	2.44 (62.1)	1.52 (38.7)	0.67 (17.0)	1.19 (30.2)
FMF1212UAMN - 1	3/4" (12.7)	3/4" (19.1)	0.625 (15.88)	2.44 (62.1)	1.52 (38.7)	0.67 (17.0)	1.19 (30.2)
FMF1216UAMN - 1	3/4" (12.7)	1" (25.4)	0.625 (15.88)	2.62 (66.6)	1.52 (38.7)	0.85 (21.6)	1.44 (36.6)
FMF168UAMN - 1	1" (25.4)	1/2" (12.7)	0.546 (13.87)	2.69 (68.4)	1.77 (45.0)	0.67 (17.0)	1.44 (36.6)
FMF1612UAMN - 1	1" (25.4)	3/4" (19.1)	0.742 (18.85)	2.69 (68.4)	1.77 (45.0)	0.67 (17.0)	1.44 (36.6)
FMF1616UAMN - 1	1" (25.4)	1" (25.4)	0.875 (22.23)	2.87 (73.0)	1.77 (45.0)	0.85 (21.6)	1.44 (36.6)